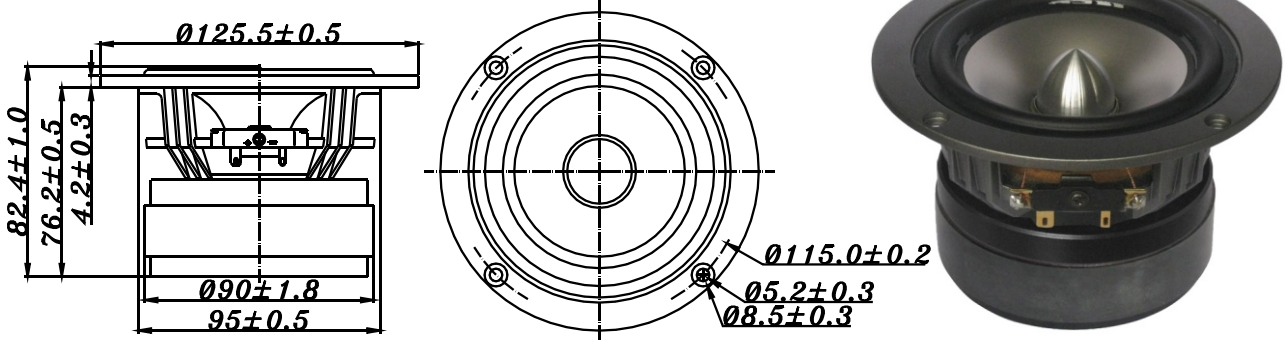


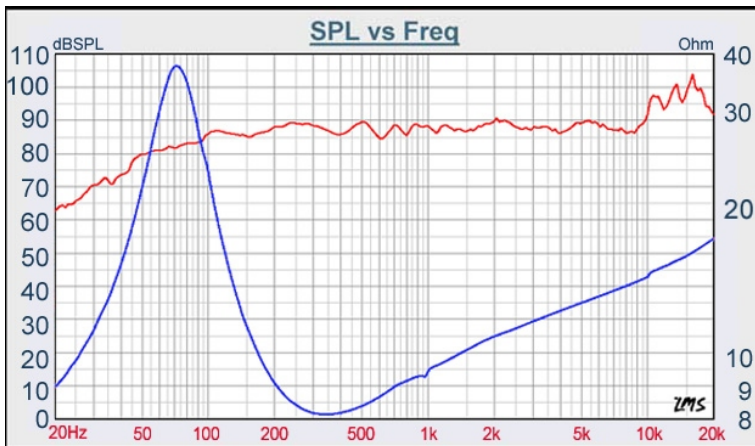
# F SERIES

# W4-1337SDF



- FULL RANGE FREQUENCY RESPONSE
- HIGH POWER LOADING DESIGN
- DIE CAST BASKET, TITANIUM COLOR PAINTED, VC VENTED DESIGN
- TITANIUM CONE WITH SANTOPRENE SURROUND
- UNDERHUNG MOTOR DESIGN
- LOW 2nd, 3rd DISTORTION DESIGN

## 4" TI FULL RANGE



|                         |                        |
|-------------------------|------------------------|
| DIAPHRAGM MTL           | Titanium               |
| SURROUND MTL            | Rubber                 |
| NOMINAL IMPEDANCE       | 8 Ω                    |
| DCR IMPEDANCE           | 6.3 Ω                  |
| SENSITIVITY 1W/1M       | 89 dB                  |
| FREQUENCY RESPONSE      | 70 - 20K Hz            |
| FREE AIR RESONANCE      | 70 Hz                  |
| VOICE COIL DIAMETER     | 25.4 mm                |
| AIR GAP HEIGHT          | 10 mm                  |
| RATED POWER INPUT       | 25 W                   |
| MAXIMUM POWER INPUT     | 50 W                   |
| FORCE FACTOR, BL        | 5.32 TM                |
| MAGNET WEIGHT (18.6 oz) | 525 g                  |
| MOVING MASS             | 3.99 g                 |
| FERROFLUID ENHANCED     | No                     |
| SUSPENSION COMPLIANCE   | 1216 μMN <sup>-1</sup> |
| EFFECTIVE PISTON AREA   | 0.0057 M <sup>2</sup>  |
| Levc                    | 0.027 mH               |
| Zo                      | 36 ohm                 |
| X-max                   | 2.5 mm                 |
| Vas                     | 5.61 Litr              |
| Qts                     | 0.34                   |
| Qms                     | 2.04                   |
| Qes                     | 0.40                   |



VOICE:886.2.26570282 FAX:886.2.26580166  
E-MAIL :info@tb-speaker.com