

# CV21

## Au-plated contacts

Low contact resistance

## Small size

21mm outside diameter

## Reliable

High tightness



Photo: Slot type shaft with red mark (Special order).

# ROTARY SWITCH

## Model number

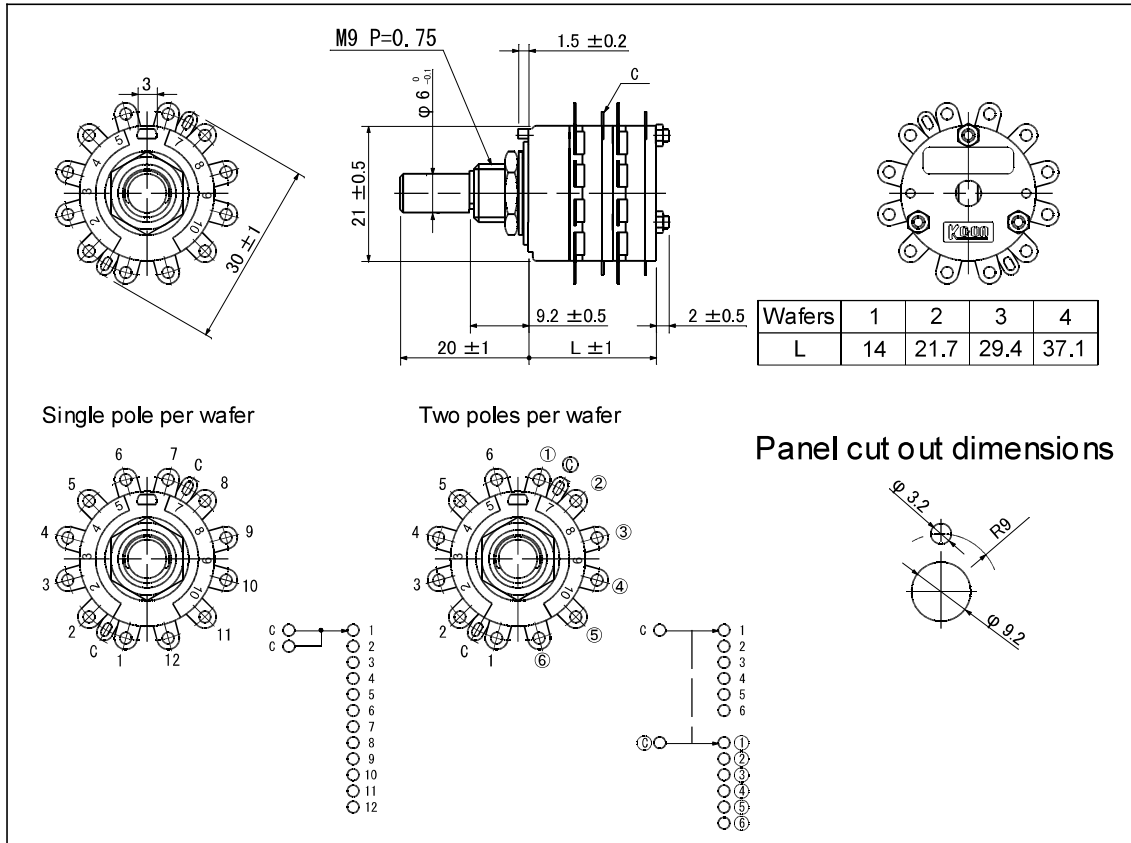
**CV21G - 2 2 08 R 20 M 30**

Product type \*A \*B \*C \*D \*E \*F \*G

- \*A Number of Wafers
- \*B Number of Poles (Circuits)
- \*C Number of contact Per Poles
- \*D Type of Shaft
- \*E Length of Shaft
- \*F Switching method
- \*G Indexing angle

- R:** Round
- F:** Flat
- S:** Slot
- 20mm standard
- Blank:** Non-shorting
- M:** Shorting
- 30 degrees

## Dimensions



## Electrical specifications

CV21								
Max rating	AC100V 300mA, DC25V 1A							
Contact resistance	15mohm or less							
Voltage proof	1 Min. at AC500V							
Insulation resistance	100Mohm or more at DC500V							
Rotational life (No-load)	30,000 Cycles Min. (18cycles/min, Contact resistance: Less than 30mohm)							
Production range	Number of wafers	1	2	3	4			
	Number of Poles	1	2	4	3	6	4	8
	Number of contact per poles	12	6	12	6	12	6	12

## Mechanical specifications

CV21	
Indexing angle	30 degrees
Rotational torque	4~11Ncm (Different by number of circuit)
Strength of Nut-Attached	50Ncm
Attached Parts	Hexagonal nut (M9)
Stopper strength	70Ncm
Push-pull strength	50N

## General specifications

CV21	
Temp. range	-10 to +70 degrees C (Operating), -15 to +75 degrees C (Storage)
Relative humidity	90%RH (No condensation)

## Note

- \* Solder heat resistance: 350degrees C max, 5sec max, 2 times. (Manual soldering only)
- \* Special order of the shaft length is possible. Please contact us for details.